

Installation Manual



BPA105 **Bluetooth Protocol Analyzer** **071-1121-01**

This document supports software version 2.4 and above.

Check for regular BPA Series software updates at
www.tektronix.com/bpa_software

www.tektronix.com

Copyright © Tektronix, Inc. All rights reserved.

Tektronix products are covered by U.S. and foreign patents, issued and pending. Information in this publication supercedes that in all previously published material. Specifications and price change privileges reserved.

Tektronix, Inc., P.O. Box 500, Beaverton, OR 97077

TEKTRONIX and TEK are registered trademarks of Tektronix, Inc.

BLUETOOTH is a trademark owned by Bluetooth SIG, Inc., U.S.A. and licensed to Tektronix, Inc.

HARDWARE WARRANTY

Tektronix warrants that the products that it manufactures and sells will be free from defects in materials and workmanship for a period of three (3) years from the date of shipment. If a product proves defective during this warranty period, Tektronix, at its option, either will repair the defective product without charge for parts and labor, or will provide a replacement in exchange for the defective product.

In order to obtain service under this warranty, Customer must notify Tektronix of the defect before the expiration of the warranty period and make suitable arrangements for the performance of service. Customer shall be responsible for packaging and shipping the defective product to the service center designated by Tektronix, with shipping charges prepaid. Tektronix shall pay for the return of the product to Customer if the shipment is to a location within the country in which the Tektronix service center is located. Customer shall be responsible for paying all shipping charges, duties, taxes, and any other charges for products returned to any other locations.

This warranty shall not apply to any defect, failure or damage caused by improper use or improper or inadequate maintenance and care. Tektronix shall not be obligated to furnish service under this warranty a) to repair damage resulting from attempts by personnel other than Tektronix representatives to install, repair or service the product; b) to repair damage resulting from improper use or connection to incompatible equipment; c) to repair any damage or malfunction caused by the use of non-Tektronix supplies; or d) to service a product that has been modified or integrated with other products when the effect of such modification or integration increases the time or difficulty of servicing the product.

THIS WARRANTY IS GIVEN BY TEKTRONIX IN LIEU OF ANY OTHER WARRANTIES, EXPRESS OR IMPLIED. TEKTRONIX AND ITS VENDORS DISCLAIM ANY IMPLIED WARRANTIES OF MERCHANTABILITY OR FITNESS FOR A PARTICULAR PURPOSE. TEKTRONIX' RESPONSIBILITY TO REPAIR OR REPLACE DEFECTIVE PRODUCTS IS THE SOLE AND EXCLUSIVE REMEDY PROVIDED TO THE CUSTOMER FOR BREACH OF THIS WARRANTY. TEKTRONIX AND ITS VENDORS WILL NOT BE LIABLE FOR ANY INDIRECT, SPECIAL, INCIDENTAL, OR CONSEQUENTIAL DAMAGES IRRESPECTIVE OF WHETHER TEKTRONIX OR THE VENDOR HAS ADVANCE NOTICE OF THE POSSIBILITY OF SUCH DAMAGES.

SOFTWARE WARRANTY

Tektronix warrants that the media on which this software product is furnished and the encoding of the programs on the media will be free from defects in materials and workmanship for a period of three (3) months from date of shipment. If a medium or encoding proves defective during the warranty period, Tektronix will provide a replacement in exchange for the defective medium. Except as to the media on which this software product is furnished, this software product is provided "as is" without warranty of any kind, either express or implied. Tektronix does not warrant that the functions contained in this software product will meet Customer's requirements or that the operation of the programs will be uninterrupted or error-free.

In order to obtain service under this warranty, Customer must notify Tektronix of the defect before the expiration of the warranty period. If Tektronix is unable to provide a replacement that is free from defects in materials and workmanship within a reasonable time thereafter, Customer may terminate the license for this software product and return this software product and any associated materials for credit or refund.

THIS WARRANTY IS GIVEN BY TEKTRONIX IN LIEU OF ANY OTHER WARRANTIES, EXPRESS OR IMPLIED. TEKTRONIX AND ITS VENDORS DISCLAIM ANY IMPLIED WARRANTIES OF MERCHANTABILITY OR FITNESS FOR A PARTICULAR PURPOSE. TEKTRONIX' RESPONSIBILITY TO REPLACE DEFECTIVE MEDIA OR REFUND CUSTOMER'S PAYMENT IS THE SOLE AND EXCLUSIVE REMEDY PROVIDED TO THE CUSTOMER FOR BREACH OF THIS WARRANTY. TEKTRONIX AND ITS VENDORS WILL NOT BE LIABLE FOR ANY INDIRECT, SPECIAL, INCIDENTAL, OR CONSEQUENTIAL DAMAGES IRRESPECTIVE OF WHETHER TEKTRONIX OR THE VENDOR HAS ADVANCE NOTICE OF THE POSSIBILITY OF SUCH DAMAGES.

Table of Contents

General Safety Summary	iii
Regulatory Notices	v
Radio-Frequency Exposure Safety Warning and FCC Regulatory Notice	v
Regulatory Notice: Radio-Frequency Interference (FCC15.105)	v
Preface	vii
Contacting Tektronix	viii
Bluetooth Protocol Analyzer	
Setup and Installation	1
Product Overview	1
The Bluetooth Specification	1
Bluetooth Protocol Analyzer Configurations	2
Unpacking	3
System Requirements	4
Setting Up the Product	4
Installation Procedure for New Installations	5
Installation Procedure for Upgrades	6
Uninstalling DemoCard Software	7
Uninstalling Earlier Versions of Bluetooth Software	7
Starting the Software	8
Exiting the Software	8
Software and Data Files Available on Disk	8
Specifications	11
Air Probe Characteristics	11
Certifications and Compliances	12
For Use Throughout the European Union	12
Environmental Characteristics	13
Physical Characteristics	14

General Safety Summary

Review the following safety precautions to avoid injury and prevent damage to this product or any products connected to it. To avoid potential hazards, use this product only as specified.

Only qualified personnel should perform service procedures.

To Avoid Fire or Personal Injury

Do Not Operate With Suspected Failures. If you suspect there is damage to this product, have it inspected by qualified service personnel.

Do Not Operate in Wet/Damp Conditions.

Do Not Operate in an Explosive Atmosphere.

Keep Product Surfaces Clean and Dry.

Safety Terms and Symbols

Terms in This Manual. These terms may appear in this manual:



WARNING. *Warning statements identify conditions or practices that could result in injury or loss of life.*



CAUTION. *Caution statements identify conditions or practices that could result in damage to this product or other property.*

Symbols on the Product. These symbols may appear on the product:



CAUTION
Refer to Manual

Regulatory Notices

The following statements are furnished in connection with the Tektronix BPA105 Bluetooth Protocol Analyzer.

Radio-Frequency Exposure Safety Warning and FCC Regulatory Notice



WARNING. *FCC Radio-Frequency Exposure Statement.*

This equipment generates and radiates radio-frequency energy. In order to comply with FCC radio-frequency radiation exposure guidelines for an uncontrolled environment, this equipment must be installed and operated while maintaining a minimum body to antenna distance of 20 cm.

Users are not permitted to make changes or modify the system in any way.

Regulatory Notice: Radio-Frequency Interference (FCC15.105)

This device has been tested and found to comply with the limits for Class B digital devices pursuant to Part 15 Subpart B, of the FCC Rules. These limits are designed to provide reasonable protection against harmful interference in a residential environment.

This equipment generates, uses, and can radiate radio-frequency energy, and if not installed and used in accordance with the instruction manual, may cause harmful interference to radio communications. However, there is no guarantee that interference will not occur in a particular installation. If this equipment does cause harmful interference to radio or television reception, which can be determined by turning the equipment off and on, the user is encouraged to try to correct the interference by one or more of the following methods:

- Reorient or relocate the receiving antenna.
- Increase the separation between the equipment and the receiver.
- Connect the equipment into an outlet on a circuit different from that to which the receiver is connected.
- Consult the dealer or an experienced radio/ TV technician for help.



Preface

This manual provides the information you need to install and operate the Tektronix BPA105 Bluetooth Protocol Analyzer for the first time.

For instructions on how to use the Bluetooth Protocol Analyzer following installation, refer to the online help.

NOTE. Check for regular BPA Series software updates at www.tektronix.com/bpa_software.

Contacting Tektronix

Phone	1-800-833-9200*
Address	Tektronix, Inc. 14200 SW Karl Braun Drive P.O. Box 500 Beaverton, OR 97077 USA
Web site	www.tektronix.com
Sales support	1-800-833-9200, select option 1*
Service support	1-800-833-9200, select option 2*
Technical support	Email: techsupport@tektronix.com 1-800-833-9200, select option 3* 6:00 a.m. - 5:00 p.m. Pacific time

* **This phone number is toll free in North America. After office hours, please leave a voice mail message.**

Outside North America, contact a Tektronix sales office or distributor; see the Tektronix web site for a list of offices.

Bluetooth Protocol Analyzer Setup and Installation

This manual contains the following information:

- Overview of the BPA105 Bluetooth Protocol Analyzer
- Instructions for unpacking the product
- Requirements of the host computer
- Instructions for setting up hardware
- Procedures for installing software
- Instructions for starting up and exiting the software

Product Overview

The Bluetooth Protocol Analyzer facilitates the development of Bluetooth devices by providing a tool that can nonintrusively and independently intercept baseband traffic, and then log, decode, and analyze the packet data transmitted and received over a Bluetooth Piconet. The Bluetooth Protocol Analyzer can also function as a prototype debugging tool that is capable of participating in a Piconet as either a master or a slave, to initiate various modes of operation, introduce intentional errors, or act as a known reference device.

The Bluetooth Protocol Analyzer product consists of a Bluetooth Air Probe, custom USB cable, input and output cables, and a CD-ROM containing application software and user manuals.

The Bluetooth Specification

The Bluetooth Specification is a standard containing the information required to ensure that diverse devices supporting the Bluetooth wireless technology can communicate with each other, regardless of the manufacturer. This document is divided into the following parts:

- *Volume 1, Core.* This is a lengthy and detailed document that specifies components such as the radio and baseband

specifications, link manager protocol, service discovery protocol, transport layer, and interoperability with different communication protocols. It also provides three chapters on test and qualification, including *Bluetooth Test Mode*, *Bluetooth Compliance Requirements*, and *Test Control Interface*.

- *Volume 2, Profiles*. This document specifies the protocols and procedures required for different types of Bluetooth applications, such as service discovery, cordless telephony, serial port, and synchronization profiles.

To access this two-part specification on the World Wide Web, go to the following URL:

<http://www.bluetooth.com>

Bluetooth Protocol Analyzer Configurations

You can operate the BPA105 Bluetooth Protocol Analyzer in either Independent or Piconet mode.

Independent Mode. Configured as an independent unit, the Bluetooth Protocol Analyzer does not interact directly in a Piconet. Instead, after synchronizing to the net, it passively monitors and logs all baseband packets transmitted between the master and the slaves comprising the net. By using its advanced triggering and filter features, you can identify the data you want to log, and then analyze it following the session.

Piconet Mode. Configured as a participant in the Piconet, the Bluetooth Protocol Analyzer uses a full-protocol stack and participates as the master or a slave in the Piconet.

As a master, the Bluetooth Protocol Analyzer logs all baseband packets between itself and the Piconet slave device(s). When set up as a slave, it logs all packets between itself and the Piconet master.

For information on how to configure the Piconet mode of your analyzer, refer to the online help.

Unpacking

The BPA105 package contains the following items:

1. BPA105 Bluetooth Air Probe
2. CD-ROM containing product software and user documentation
3. BPA105 Bluetooth Protocol Analyzer Installation Manual
4. Two SMB-to-BNC cables
5. BNC female-to-female adapter
6. Custom USB cable

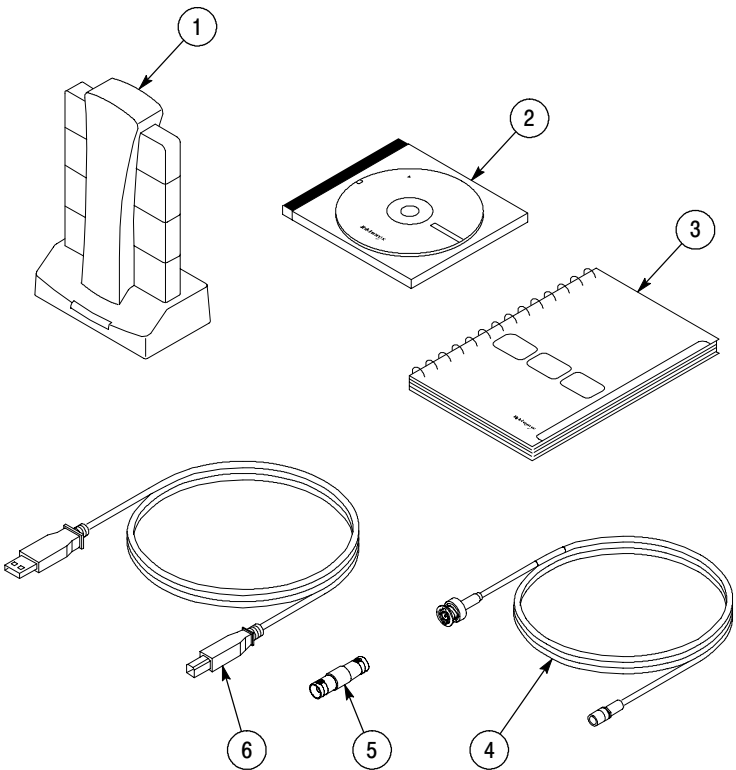


Figure 1: Bluetooth Protocol Analyzer components

System Requirements

To install and use the BPA105 Bluetooth Protocol Analyzer software, your system should meet the following recommended requirements:

- PC with 600 MHz, or faster, Pentium III microprocessor. You can use a PC with a slower microprocessor, but it may not be able to maintain proper decoding and or decryption in Free Run mode.
- Microsoft Windows 98SE, ME, 2000, or XP operating system.
- 128 MB RAM minimum; 256 MB RAM recommended.
- Minimum of 200 MB of free space on the hard disk.
- Monitor resolution of 1024 by 768 pixels or higher.
- USB Port.



CAUTION. *To ensure compliance with regulatory emissions statements, the custom USB cable included with the BPA105 Bluetooth Protocol Analyzer has additional shielding. Do not use a standard USB cable with this product.*

Setting Up the Product

Setting up the BPA105 Bluetooth Protocol Analyzer consists of locating and configuring hardware components and installing the application software and drivers. If you are installing this product for the first time, see the *Installation Procedure for New Installations* beginning on page 5.

NOTE. *If a Digianswer Bluetooth DemoCard or device that uses the Digianswer Bluetooth Stack is installed on your computer, you must uninstall it before installing the Bluetooth Protocol Analyzer software. See Uninstalling DemoCard Software on page 7.*

If you have an older version (v1.0) of Bluetooth software installed, see Uninstalling Earlier Versions of Bluetooth Software on page 7.

For later releases, the installation program uninstalls older software for you.

Installation Procedure for New Installations

To install new Bluetooth software do the following:

1. Insert the Bluetooth Protocol Analyzer CD-ROM into the CD-ROM drive of your PC.
2. Follow the on-screen steps to complete the installation.
3. Restart your computer when prompted.
4. Use the USB cable to connect the Bluetooth Air Probe to an available USB port on the host computer.
5. Follow the instructions to install the necessary drivers.

NOTE. *Before starting this procedure, locate your MS Windows installation disk. You may need it to install drivers not found on your hard drive.*

For Windows 2000 and XP, the driver installation takes place in several steps, including USB device, Bluetooth USB Device, Bluetooth NAT Protocol, Bluetooth Ethernet Adapter, Bluetooth RFCOMM Protocol, and Bluetooth SDP Protocol.

NOTE. *If you need to install any drivers manually, go to D:\Drivers\Win9x for Windows 98 and ME or D:\Drivers\Win2K for Windows 2000 and XP (where D: is your CD-ROM drive) for the BPA105 Product Software CD-ROM.*

6. Restart your computer.

You are now ready to operate the Bluetooth Protocol Analyzer.

NOTE. *Always exit the Bluetooth Neighborhood and Bluetooth Protocol Analyzer applications before disconnecting the Bluetooth Air Probe from the host computer. Failure to do so may result in a system lock up.*

Installation Procedure for Upgrades

To upgrade your Bluetooth software do the following:

1. In the menu bar of the BPA105 Bluetooth Protocol Analyzer, select **System > System Properties** and note the version of the software and firmware you are running.
2. In the menu bar of the Bluetooth Protocol Analyzer, select **Help > Technical Support**. This connects you to the BPA105 support Web site. Select the **Software and Drivers** link to obtain information on the latest BPA105 software release.
3. If needed, download the latest version of the BPA105 software from the Web site.

NOTE. *Check for regular BPA105 software updates at www.tektronix.com/bpa_software.*

You can also order the BPA105 Product Software CD-ROM (Tektronix part number 063-3595-xx) through your local Tektronix representative. See page viii for information on contacting Tektronix.

4. Unzip the downloaded file into a directory of your choice.

5. Browse to the directory where you unzipped the files and run the setup.exe program.
6. The setup program asks if you want to remove the previous version of software. Follow the on-screen steps to remove the previous version. When prompted, restart your computer.
7. The installation procedure should automatically restart after your computer reboots. If not, run the setup.exe program again to continue the installation process. Follow the on-screen prompts and restart your computer when prompted.

You are now ready to operate the Bluetooth Protocol Analyzer.

Uninstalling DemoCard Software

If a Digianswer Bluetooth DemoCard is installed on your computer, you must uninstall it before you can install the Bluetooth Protocol Analyzer.

To uninstall the DemoCard do the following:

1. Insert the DemoCard.
2. From your PC desktop, select **Start > Settings > Control Panel**.
3. Open the Add/Remove Programs icon.
4. Select **Bluetooth DemoCard** from the list and follow the on-screen instructions.
5. Remove the DemoCard.
6. Restart your computer.

Uninstalling Earlier Versions of Bluetooth Software

To uninstall earlier versions of Bluetooth software do the following:

1. From your PC desktop, select **Start > Settings > Control Panel**.
2. Open the Add/Remove Programs icon.
3. Select the Bluetooth software you want to remove from the list and follow the on-screen instructions.
4. Restart your computer.

NOTE. *As an alternate way to uninstall older software, select Uninstall Bluetooth Software Suite in the program folder.*

You may now install the Bluetooth Protocol Analyzer as described in the *Installation Procedure for New Installations* on page 5.

Starting the Software

You have the following options to start the BPA105 software:

- In the taskbar select **Start > Programs > Tektronix Bluetooth Protocol Analyzer > Bluetooth Protocol Analyzer Application.**
- If you created a Bluetooth Protocol Analyzer shortcut, double-click the icon on your Windows desktop.

NOTE. *Do not disconnect the Air Probe from the USB port while operating the BPA105 Bluetooth Protocol Analyzer. Disconnecting the Air Probe from the computer may cause the BPA105 software to lock up.*

Exiting the Software

To quit the BPA105 Bluetooth Protocol Analyzer software, select **File** in the menu bar, and then select **Exit**.

Software and Data Files Available on Disk

The CD-ROM that ships with the BPA105 Bluetooth Protocol Analyzer contains the software applications and data files discussed in the following section.

BPA105 Bluetooth Protocol Analyzer. Use the BPA105 software to set up a log session and intercept all data transmitted between the devices forming a Bluetooth Piconet. You can then display and analyze all

baseband packets logged, isolate, decode, and display other higher-level protocols.

Digianswer Bluetooth Software Suite. The Bluetooth Software Suite is a collection of Bluetooth applications created by Digianswer and is composed of the following applications:

- Bluetooth Neighborhood
- Bluetooth Configuration Tool
- Object Editor

You can also use the *Bluetooth Neighborhood* application to do the following:

- Device Discovery. Determine which remote Bluetooth devices are available within the range of your Air Probe.
- Service Discovery. Determine which services (applications) a remote device facilitates.
- Links. Establish links to remote devices.

You can use the *Bluetooth Configuration Tool* to associate one or more appropriate profiles with a Bluetooth COM port and then add the COM port to your Local Services bar in the Bluetooth Neighborhood window.

You can use the *Object Editor* to create objects like messages, notes, or business cards if you do not have Microsoft Outlook installed on your system.

NOTE. While using the *Bluetooth Protocol Analyzer*, you are advised not to run applications other than the *Bluetooth Protocol Analyzer* and *Bluetooth Neighborhood*.

NOTE. *The Bluetooth Protocol Analyzer needs exclusive access to the USB port on the host PC to function optimally. Some laptop computers have internal peripherals that use the USB. For proper operation of the Bluetooth Protocol Analyzer, you must disable these peripherals.*

HCI Terminal. This Digianswer application allows you to interact with the hardware using an interface similar to the that provided by an AT Terminal application when communicating with a modem. This facilitates sending HCI commands from your computer to a Bluetooth device and receiving responses, allowing you to test your own Bluetooth hardware. The *HCI Terminal Guide* provides instructions.

NOTE. *The HCI Terminal and Bluetooth Neighborhood applications use different means to create connections and generate traffic. You can only run one application at a time.*

Do not attempt to run HCI Terminal and Bluetooth Neighborhood at the same time.

BPA105 Application Programming Interface Software. Use this software to control the BPA105 Bluetooth Protocol Analyzer remotely, without using the application user interface.

You can create and implement custom test procedures using Microsoft Visual C++, Visual Basic, or other DCOM-compatible programming languages to control most of the analyzer functions from the host PC or a local area network.

See the *BPA105 Bluetooth Protocol Analyzer Application Programming Interface* online help for a product overview, configuration instructions, detailed explanations of the function calls, and example programming code.

Specifications

This section lists the electrical, environmental, and physical characteristics of the BPA105 Bluetooth Protocol Analyzer.

Specifications listed in this section are guaranteed unless labeled “typical.” Typical specifications are provided for your convenience and are not guaranteed.

The electrical characteristics listed in Table 1 are valid when the BPA105 Bluetooth Protocol Analyzer operates within the environmental conditions listed in Table 3 on page 13.

Table 1: Air Probe characteristics

Characteristic	Description
Device compatibility	Communicates with USB Specification V1.1 devices.
Operating range, typical	0 to 250 m (820 ft)
Frequency range	2.402 to 2.480 GHz
Transmitter	
Power output, typical	Active mode: +20 dBm (100 mW) Single frequency mode: 0 dBm (1 mW)
Receiver	
Sensitivity	> -80 dBm
Power	
Requirements	Powered through USB cable connection between the host PC and the Bluetooth Air Probe interface.
Consumption	Active mode: < 350 mA. Inquiry scan mode: 81 mA Hibernation/standby mode: 400 μ A

Table 2: Certifications and compliances

Category	Standards or description
EC Declaration of Conformity - EMC	<p>Meets intent of Directive 1999/5EC for Radio and Telecommunications Terminal Equipment. Compliance was demonstrated to the following specifications as listed in the Official Journal of the European Union:</p> <p>ETS 300-328 11/1996 and A1 07/1997, Spread Spectrum data transmission equipment in the 2.4 GHz ISM band.</p> <p>EN 301-489-1; -17 v1.4.4 (2002-08) EMC and Radio Spectrum Matters; Specific Conditions for 2.4 GHz Wideband Transmission Systems.</p> <p>IEC 61000-4-2 Electrostatic Discharge Immunity (Performance Criterion A).</p> <p>Note: The Trigger Input, Trigger Output, and Clock Output ports are sensitive to ESD. Avoid discharges to these points during operation. ESD discharges can cause the system to stop operating and may require the user to restart it.</p> <p>IEC 61000-4-3 RF Electromagnetic Field Immunity (Performance Criterion B).</p>
Compliance with European Union R&TTE directive	<p>Hereby, Tektronix, Inc. declares that the Bluetooth Protocol Analyzer is in compliance with the essential requirements and other relevant provisions of Directive 1999/5/EC.</p> <p>ETS 300-328 11/1996 and A1 07/1997, Spread Spectrum data transmission equipment in the 2.4 GHz ISM band.</p> <p>For Use Throughout the European Union:</p> <ul style="list-style-type: none"> ■ Use in France without license is restricted in frequency and limited to 10 mW indoors and 2.5 mW outdoors. ■ Use in Italy is restricted to 10 mW. ■ Use in the Netherlands above 10 mW is restricted in frequency and requires a license for outdoor use.

Table 2: Certifications and compliances (Cont.)

Category	Standards or description
United States and Canada	Emissions comply with FCC Code of Federal Regulations 47, Part 15, Subpart C, Section 247, Class A Limits. Complies with RSS-210 of the Industry Canada.

Table 3: Environmental characteristics

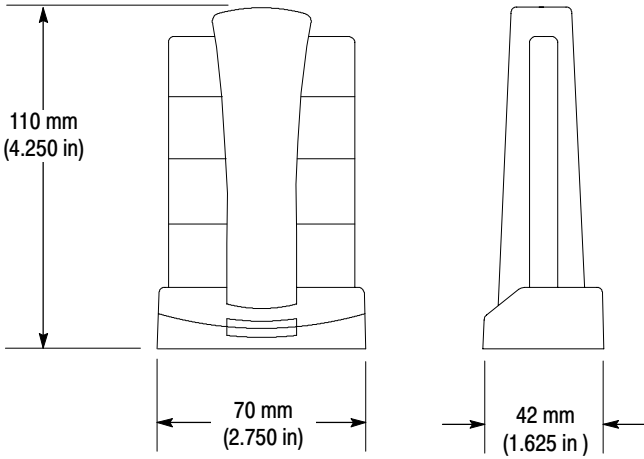
Characteristic	Description
Temperature Range	
Operating	+5 °C to +55 °C (+41 °F to +131 °F)
Nonoperating	0 °C to +55 °C (+32 °F to +131 °F)
Humidity	
Operating	20 to 90% RH, noncondensing
Nonoperating	20 to 95% RH, noncondensing
Altitude	
Operating	3,050 m (10,000 ft)
Nonoperating	10,058 m (33,000 ft)

Table 4: Physical characteristics

Characteristic	Description
Weight ¹	1.36 kg (3 lbs)
Dimensions ²	Height: 110 mm (4.250 in) Width: 70 mm (2.750 in) Depth: 42 mm (1.625 in)

1 Includes accessories and shipping container.

2 Dimensions of Bluetooth Air Probe:



インストレーション・マニュアル

Tektronix

BPA 105 型
Bluetooth プロトコル・アナライザ
071-1121-01

このマニュアルは、ソフトウェア v2.4 以降に対応しています。

www.tektronix.com/bpa_software でBPAシリーズソフトウェアの最新バージョンを確認できます。

www.tektronix.com

Copyright © Tektronix, Inc. All rights reserved.

当社の製品は、米国その他各国における登録特許および出願中特許の対象となっています。本書の内容は、すでに発行されている他の資料の内容に代わるものです。また製品の仕様は、予告なく変更させていただく場合がありますので、予めご了承ください。

Tektronix, Inc., P.O. Box 500, Beaverton, OR 97077

TEKTRONIX および TEK は、Tektronix, Inc. の登録商標です。

Bluetooth は、Telefonaktiebolaget L M Ericsson, Sweden の商標です。

WARRANTY

Tektronix warrants that the products that it manufactures and sells will be free from defects in materials and workmanship for a period of three (3) years from the date of shipment. If a product proves defective during this warranty period, Tektronix, at its option, either will repair the defective product without charge for parts and labor, or will provide a replacement in exchange for the defective product.

In order to obtain service under this warranty, Customer must notify Tektronix of the defect before the expiration of the warranty period and make suitable arrangements for the performance of service. Customer shall be responsible for packaging and shipping the defective product to the service center designated by Tektronix, with shipping charges prepaid. Tektronix shall pay for the return of the product to Customer if the shipment is to a location within the country in which the Tektronix service center is located. Customer shall be responsible for paying all shipping charges, duties, taxes, and any other charges for products returned to any other locations.

This warranty shall not apply to any defect, failure or damage caused by improper use or improper or inadequate maintenance and care. Tektronix shall not be obligated to furnish service under this warranty a) to repair damage resulting from attempts by personnel other than Tektronix representatives to install, repair or service the product; b) to repair damage resulting from improper use or connection to incompatible equipment; c) to repair any damage or malfunction caused by the use of non-Tektronix supplies; or d) to service a product that has been modified or integrated with other products when the effect of such modification or integration increases the time or difficulty of servicing the product.

THIS WARRANTY IS GIVEN BY TEKTRONIX IN LIEU OF ANY OTHER WARRANTIES, EXPRESS OR IMPLIED. TEKTRONIX AND ITS VENDORS DISCLAIM ANY IMPLIED WARRANTIES OF MERCHANTABILITY OR FITNESS FOR A PARTICULAR PURPOSE. TEKTRONIX' RESPONSIBILITY TO REPAIR OR REPLACE DEFECTIVE PRODUCTS IS THE SOLE AND EXCLUSIVE REMEDY PROVIDED TO THE CUSTOMER FOR BREACH OF THIS WARRANTY. TEKTRONIX AND ITS VENDORS WILL NOT BE LIABLE FOR ANY INDIRECT, SPECIAL, INCIDENTAL, OR CONSEQUENTIAL DAMAGES IRRESPECTIVE OF WHETHER TEKTRONIX OR THE VENDOR HAS ADVANCE NOTICE OF THE POSSIBILITY OF SUCH DAMAGES.

SOFTWARE WARRANTY

Tektronix warrants that the media on which this software product is furnished and the encoding of the programs on the media will be free from defects in materials and workmanship for a period of three (3) months from date of shipment. If a medium or encoding proves defective during the warranty period, Tektronix will provide a replacement in exchange for the defective medium. Except as to the media on which this software product is furnished, this software product is provided "as is" without warranty of any kind, either express or implied. Tektronix does not warrant that the functions contained in this software product will meet Customer's requirements or that the operation of the programs will be uninterrupted or error-free.

In order to obtain service under this warranty, Customer must notify Tektronix of the defect before the expiration of the warranty period. If Tektronix is unable to provide a replacement that is free from defects in materials and workmanship within a reasonable time thereafter, Customer may terminate the license for this software product and return this software product and any associated materials for credit or refund.

THIS WARRANTY IS GIVEN BY TEKTRONIX IN LIEU OF ANY OTHER WARRANTIES, EXPRESS OR IMPLIED. TEKTRONIX AND ITS VENDORS DISCLAIM ANY IMPLIED WARRANTIES OF MERCHANTABILITY OR FITNESS FOR A PARTICULAR PURPOSE. TEKTRONIX' RESPONSIBILITY TO REPLACE DEFECTIVE MEDIA OR REFUND CUSTOMER'S PAYMENT IS THE SOLE AND EXCLUSIVE REMEDY PROVIDED TO THE CUSTOMER FOR BREACH OF THIS WARRANTY. TEKTRONIX AND ITS VENDORS WILL NOT BE LIABLE FOR ANY INDIRECT, SPECIAL, INCIDENTAL, OR CONSEQUENTIAL DAMAGES IRRESPECTIVE OF WHETHER TEKTRONIX OR THE VENDOR HAS ADVANCE NOTICE OF THE POSSIBILITY OF SUCH DAMAGES.

目次

安全にご使用いただくために	iii
はじめに	v
お問い合わせについて	vi
Bluetooth プロトコル・アナライザのセットアップと インストレーション	1
製品の概要	1
Bluetooth仕様	1
Bluetoothプロトコル・アナライザ・ コンフィグレーション	2
開梱	3
システムの動作条件	4
製品の設定	4
新規のインストール手順	5
アップグレードの手順	6
DemoCardソフトウェアをアンインストールする ..	7
Bluetoothソフトウェアの旧バージョンの アンインストール	7
ソフトウェアを起動する	8
ソフトウェアを終了する	8
ディスク上のソフトウェアとデータ・ファイル	8

安全にご使用いただくために

安全にご使用いただくため、また本製品もしくは本製品に接続された機器に損傷を与えないために、以下の事項を必ずお読みください。製品は指定された方法でのみ使用してください。

本機器のサービスは専門のサービス員のみが行なえます。

発火および人体保護における注意事項

入力端子の定格について プローブのグランド・リードは大地グランドにのみ接続してください。

故障と思われる場合 故障と思われる場合は、必ず当社 サービス受付センターまたは販売店までご連絡ください。

機器が濡れた状態では使用しないでください。

爆発性のガスがある場所では使用しないでください。

機器の表面は常にきれいにしてください。

機器保護における注意事項

本マニュアルで使用されている用語およびマークの意味は、次のとおりです。



警告：人体や生命に危害をおよぼすおそれのある場合に、その危険を避けるための注意事項が記されています。



注意：取り扱い上の一般的な注意事項や機器を損傷するおそれのある場合の注意事項が記されています。

機器に表示されているマークの意味は、次のとおりです。



マニュアルの該当箇所を参照してください。

はじめに

このマニュアルは、Tektronix BPA105型 Bluetooth プロトコル・アナライザを初めてインストールおよび使用するときに必要な情報について記述されています。

インストレーションに続いて、Bluetooth プロトコル・アナライザの使用方法については、オンライン・ヘルプを参照してください。

注： www.tektronix.co.jp/Products/Measurement_Soft/Update/bpa/index.html で、BPA シリーズのソフトウェアの最新バージョンを確認できます。

お問い合わせについて

製品について 当社製品に関しては、日本国内では、日本テクトロニクス株式会社 お客様コールセンターまでお問い合わせください。

電話: 03-3448-3010 Fax: 0120-046-011

E-mail: ccc.jp@tektronix.com

電話受付時間 / 9:00～12:00・13:00～19:00

月曜～金曜（休祝日を除く）

北米地域からは、次のフリー・ダイヤルがご利用になれます（英語のみ）。

1-800-833-9200

6:00 a.m.～5:00 p.m. Pacific time

電子メールをご利用の方は、次のメール・アドレスでお問い合わせください。

techsupport@tektronix.com

サービス・サポート 日本国内での修理についてのお問い合わせは、日本テクトロニクス サービス受付センターでお答えします。

電話: 0120-741-046 FAX: 0550-89-8268

電話受付時間 / 9:00～12:00・13:00～19:00

月曜～金曜（休祝日を除く）

ワールド・ワイドのサービス体制については、Tektronixのホーム・ページをご参照ください。

ご意見、ご感想は 日本テクトロニクスまたはTektronix社までお寄せください。

日本テクトロニクス株式会社

〒141-0001 東京都品川区北品川 5-9-31

お客様コールセンター（上記参照）

Tektronix, Inc.

14200 SW Karl Braun Drive

P.O. Box 500

Beaverton, OR 97077

USA

ホームページ www.tektronix.co.jp

www.tektronix.com

Bluetooth プロトコル・アナライザのセットアップとインストレーション

このマニュアルでは、次に示す内容について説明します。

- BPA105型 Bluetooth プロトコル・アナライザの概要
- 製品の開梱
- ホスト・コンピュータの動作条件
- ハードウェアの設定
- ソフトウェアのインストール
- ソフトウェアの起動と終了

製品の概要

Bluetooth プロトコル・アナライザは、ベースバンド・トラフィックを受信し、さらにBluetoothピコネット内で送受信されるパケット・データの記録、デコーディング、および解析を実行します。これらの機能により、Bluetoothデバイスの開発を容易にします。Bluetooth プロトコル・アナライザは、プロトタイプ・デバッグ・ツールとしても機能し、ピコネットに参加してマスタまたはスレーブとして動作する能力も持ちます。さまざまなモードでの動作確認、意図的なエラー発生、既知のリファレンス・デバイスとしての動作などが可能です。

Bluetooth プロトコル・アナライザは、Bluetoothエア・プローブ、特別仕様のUSBケーブル、入出力ケーブル、およびアプリケーション・ソフトウェアとユーザ・マニュアルを含んだCD-ROMで構成されます。

Bluetooth仕様

Bluetooth仕様は、Bluetoothワイヤレス技術に準拠したさまざまなデバイスが、製造会社の違いにかかわらず、お互いに通信できることを保証するための情報を含んだ規格です。この資料は、以下のように分類されます。

- *Volume 1, Core.* ラジオおよびベースバンド仕様、リンク・マネージャ・プロトコル、サービス・ディスカバリ・プロトコル、トランスポート・レイヤ、異なる通信プロトコルにおける相互運用などのコンポーネントの仕様について詳細に記載されています。テストと認証に関する3つの章 *Bluetooth Test Mode*、*Bluetooth Compliance Requirements*、*Test Control Interface* を含みます。
- *Volume 2, Profiles.* サービス・ディスカバリ、コードレス電話、シリアル・ポート、同期プロファイルなどの異なるタイプのBluetoothアプリケーションで要求されるプロトコルと手順について規定しています。

次のURLで、この仕様にアクセスできます。

<http://www.bluetooth.com>

Bluetoothプロトコル・アナライザ・コンフィグレーション

BPA105型 Bluetooth プロトコル・アナライザは、インディペンデントまたはピコネット・モードで動作します。

インディペンデント・モード. Bluetooth プロトコル・アナライザはピコネットに参加せず、ネットに同期後、マスタとスレーブ間で送受信されるすべてのベースバンド・パケットをモニタおよび記録します。拡張トリガとフィルタ機能を使用すると、記録したいデータを特定してから、その後のセッションを解析できます。

ピコネット・モード. Bluetooth プロトコル・アナライザはピコネットに参加して、フル・プロトコル・スタックにより、ピコネット内でマスタまたはスレーブとして動作します。

マスタになった場合、Bluetooth プロトコル・アナライザ自身とスレーブ間のすべてのベースバンド・パケットを記録できます。スレーブとなった場合は、Bluetooth プロトコル・アナライザ自身とマスタ間のすべてのベースバンド・パケットを記録します。

プロトコル・アナライザをピコネット・モードで運用するときは、オンライン・ヘルプを参照してください。

開梱

BPA105 型は、以下の品目で構成されます。

1. BPA105 型 Bluetooth エア・プローブ
2. 製品ソフトウェアとドキュメントを含むCD-ROM
3. インストレーション・マニュアル（本書）
4. SMB-to-BNCケーブル 2本
5. BNC（メス-メス）アダプタ
6. 特別仕様 USB ケーブル

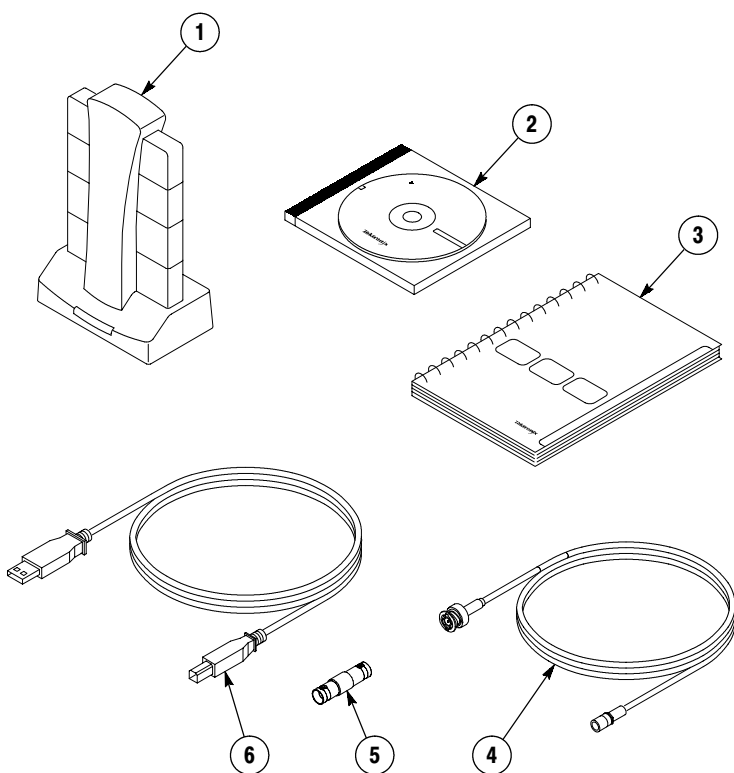


図 1: Bluetooth プロトコル・アナライザ・コンポーネント

システムの動作条件

BPA105型 Bluetooth プロトコル・アナライザ ソフトウェアを使用するには、以下に示す環境が必要となります。

- Pentium III 600MHz以上のPC。これより低速のPCでも使用できますが、フリーラン・モードでの解析とデクリプション（暗号化されたデータの復号）を正しく行えない場合があります。
- Microsoft Windows 98SE、ME、2000、またはXPオペレーティング・システム
- 128MB RAM、256MB 以上を推奨
- 200MB以上のハードディスクの空き容量
- 1024 × 768ピクセル以上の解像度のモニタ
- USBポート



注意：EMC準拠のため、BPA105型Bluetoothプロトコル・アナライザに付属のUSBケーブルには特別なシールドが施されています。一般のUSBケーブルを本製品と共に使用しないでください。

製品の設定

BPA105型 Bluetooth プロトコル・アナライザの設定は、ハードウェア・コンポーネントの確認とアプリケーション・ソフトウェアおよびドライバのインストールの2つの手順で構成されます。初めて本製品をインストールする場合は、5ページの「新規のインストール手順」を参照してください。

注：ご使用のコンピュータに*Digianswer Bluetooth DemoCard*または*Digianswer Bluetooth Stack*を使用しているデバイスがインストールされている場合は、*Bluetooth* プロトコル・アナライザ ソフトウェアをインストールする前に*Digianswer Bluetooth DemoCard*をアンインストールする必要があります。7ページの「*DemoCard*ソフトウェアをアンインストールする」を参照してください。

本ソフトウェアの旧バージョン(*ver1.0*)がインストールされている場合は、7ページの「旧バージョンの*Bluetooth*ソフトウェアをアンインストールする」を参照してください。

最新バージョンでは、インストール・プログラムが旧バージョン(*ver 1.0*を除く)をアンインストールします。

新規のインストール手順

インストールの手順は以下のとおりです。

1. Bluetooth Protocol Analyzer CD-ROMをPCのCD-ROMドライブに挿入します。
2. スクリーンに表示される指示に従ってインストールを行います。
3. コンピュータを再起動します。
4. USBケーブルを使用して、Bluetoothエア・プローブをホスト・コンピュータのUSBポートに接続します。
5. 指示に従って必要なドライバをインストールします。

注：この手順を実行する前に、MS Windows インストール・ディスクを用意しておきます。ドライバのインストール時に必要になることがあります。

Windows 2000 とXP の場合、ドライバのインストールは、USB デバイス、Bluetooth USBデバイス、Bluetooth NATプロトコル、Bluetooth Ethernetアダプタ、Bluetooth RFCOMMプロトコル、Bluetooth SDPプロトコルの順序で行われます。

注：ドライバを手動でインストールする場合は、*BPA105 Product Software CD-ROM*上のD:\Drivers\Win9x (Windows 98/ME)、またはD:\Drivers\Win2K (Windows 2000/XP) を参照してください (DはPCのCD-ROMドライブ)。

6. コンピュータを再起動します。

これでBluetooth プロトコル・アナライザを使用できます。

注：ホスト・コンピュータからBluetoothエア・プローブを取り外す際は、必ずBluetooth NeighborhoodとBluetoothをProtocol Analyzerを終了させてください。システムがフリーズすることがあります。

アップグレードの手順

Bluetoothソフトウェアのアップグレードは、以下の手順に従います。

1. BPA105型Bluetoothプロトコル・アナライザのメニュー・バーで **System > System Properties** を選択し、ソフトウェアとファームウェアの現在のバージョンを書き留めます。
2. 当社のWebサイトに接続します (下記の注を参照してください)。
3. 必要ならば、Webサイトから最新バージョンのBPA105型・ソフトウェアをダウンロードします。

注：www.tektronix.co.jp/Products/Measurement_Soft/Update/bpa/index.html で、BPAシリーズのソフトウェアの最新バージョンを確認できます。

BPA105 Product Software CD-ROMを購入することもできます (当社部品番号063-3595-xx)。当社または販売店にご連絡ください。Tektronix社への問い合わせは、viページを参照してください。

4. ダウンロードしたファイルを適当なディレクトリで解凍します。
5. ディレクトリを確認してsetup.exeプログラムを起動します。

6. セットアップ・プログラムが旧バージョンのソフトウェアを削除するかどうかを聞いてきますので、指示に従って旧バージョンを削除します。コンピュータを再起動します。
7. コンピュータをリブートするとインストール手順が自動的に再スタートします。スタートしない場合は、**setup.exe**プログラムを再起動させインストールを続けます。スクリーンの指示に従ってコンピュータを再起動します。

これでBluetooth プロトコル・アナライザを使用できます。

DemoCardソフトウェアをアンインストールする

DigianswerBluetoothDemoCardがコンピュータにインストールされている場合は、Bluetooth プロトコル・アナライザをインストールする前に削除する必要があります。

DemoCardのアンインストールは以下の手順で行います。

1. DemoCardを挿入します。
2. PCのデスクトップで、**スタート > 設定 > コントロールパネル** を選択します。
3. **アプリケーションの追加と削除** アイコンを開きます。
4. リストから**BluetoothDemoCard**を選択し、スクリーンの指示に従います。
5. DemoCardを取り外します。
6. コンピュータを再起動します。

Bluetoothソフトウェアの旧バージョンのアンインストール

旧バージョンのBluetoothソフトウェアのアンインストールは、以下の手順に従います。

1. PCのデスクトップで、**スタート > 設定 > コントロールパネル** を選択します。
2. **アプリケーションの追加と削除** アイコンを開きます。
3. リストから削除したいソフトウェアを選択して指示に従います。
4. コンピュータを再起動します。

注：プログラム・フォルダで *Uninstall Bluetooth Software Suite* を選択して古いソフトウェアをアンインストールすることもできます。

これで、5 ページの「新規のインストール手順」で説明された方法で Bluetooth プロトコル・アナライザをインストールできます。

ソフトウェアを起動する

BPA105 型 ソフトウェアを起動する方法は2つあります。

- タスクバーで、**スタート > プログラム > Tektronix Bluetooth Protocol Analyzer > Bluetooth Protocol Analyzer Application** を選択します。
- Bluetooth プロトコル・アナライザのショートカットを作成している場合、Windows デスクトップ上でアイコンをダブルクリックします。

注：BPA105 型 Bluetooth プロトコル・アナライザを使用中にエア・プローブを外さないで下さい。BPA シリーズ・ソフトウェアがフリーズすることがあります。

ソフトウェアを終了する

BPA105 型 Bluetooth プロトコル・アナライザ ソフトウェアを終了するには、メニュー・バーで **File** を選択し、続いて **Exit** を選択します。

ディスク上のソフトウェアとデータ・ファイル

BPA105 型 Bluetooth プロトコル・アナライザに付属する CD-ROM には、以下で説明されるソフトウェア・アプリケーションとデータ・ファイルが含まれます。

BPA105 Bluetooth Protocol Analyzer. BPA105 型 ソフトウェアを使って、ログセッションを設定し、Bluetoothピコネットを構成するデバイス間の通信データを取込みます。続いて、ベースバンド・パケットを表示/解析し、さらに他の上位レイヤ・プロトコルを表示します。

Digianswer Bluetooth Software Suite. Bluetooth Software Suiteは、Digianswerによって開発されたBluetoothアプリケーションで、以下の内容で構成されます。

- Bluetooth Neighborhood
- Bluetooth Configuration Tool
- Object Editor

Bluetooth Neighborhoodを使用して、以下のことが実行できます。

- デバイス・ディスカバリ：エア・プローブのレンジ内で、どのBluetoothデバイスが使用可能なのかを特定する。
- サービス・ディスカバリ：リモート・デバイスのサービス（アプリケーション）を特定する。
- リンク：リモート・デバイスへのリンクを確立する。

Bluetooth Configuration Tool を使用するとプロファイルをBluetooth COMポートに関連付けることができ、さらにCOMポートをBluetooth Neighborhoodウィンドウ内のローカルサービスバーに追加できます。

PCにMicrosoft Outlook がインストールされていない場合は、Object Editorを使用してメッセージやノートや名刺のようにオブジェクトを作成できます。

注：Bluetooth プロトコル・アナライザを使用しているときは、Bluetooth Protocol AnalyzerとBluetooth Neighborhood以外のアプリケーションは起動しないで下さい。

注：*Bluetooth* プロトコル・アナライザを最適な状態で使用するために、ホストPCのUSBポートには他の周辺機器を接続しないでください。一部のラップトップ・コンピュータでは内部機器がUSBを使用している場合があります。これらの機器を終了させてから*Bluetooth* プロトコル・アナライザを使用してください。

HCI Terminal. HCI Terminal は、Digianswerによって開発されたアプリケーションで、モデムと通信するときのAT Terminal アプリケーションと同様のインタフェースを使用してハードウェアとの相互作用を可能にします。コンピュータからBluetoothデバイスにHCIコマンドを送り、応答を受け取り、Bluetoothハードウェアのテストを行います。HCI Terminal Guide に詳細な説明があります。

注：*HCI Terminal*と*Bluetooth Neighborhood*アプリケーションは、それぞれが他の機器に接続し、データ転送を行います。一度に1つのアプリケーションのみ使用できます。

2つのアプリケーションを同時に起動させることはできません。

BPA 105 Application Programming Interface Software. このソフトウェアによって、アプリケーション・ユーザ・インタフェースを使用しなくてもBPA105型 Bluetooth プロトコル・アナライザを遠隔操作できます。

Microsoft Visual C++、Visual Basic、他のCom/Dcomコンパチブル・プログラミング言語を使用して、カスタム・テスト手順を作成できます。ホストPCまたはローカル・エリア・ネットワークからアナライザのほとんどの機能をコントロールできます。

製品の概要、コンフィグレーションの説明、機能の詳細説明、プログラミング・コード例などに関しては、*BPA105BluetoothProtocolAnalyzer Application Programming Interface* オンライン・ヘルプを参照してください。

保証規定

保証期間 (納入後 3 年間) 内に、通常の取り扱いによって生じた故障は無料で修理いたします。

1. 取扱説明書、本体ラベルなどの注意書きに従った正常な使用状況で保証期間内に故障した場合には、販売店または当社に修理をご依頼くだされば無料で修理いたします。なお、この保証の対象は製品本体に限られます。
2. 転居、譲り受け、ご贈答品などの場合で表記の販売店に修理をご依頼できない場合には、当社にお問い合わせください。
3. 保証期間内でも次の事項は有料となります。
 - 使用上の誤り、他の機器から受けた障害、当社および当社指定の技術員以外による修理、改造などから生じた故障および損傷の修理
 - 当社指定外の電源(電圧・周波数)使用または外部電源の異常による故障および損傷の修理
 - 移動時の落下などによる故障および損傷の修理
 - 火災、地震、風水害、その他の天変地異、公害、塩害、異常電圧などによる故障および損傷の修理
 - 消耗品、付属品などの消耗による交換
 - 出張修理(ただし故障した製品の配送料金は、当社負担)
4. 本製品の故障またはその使用によって生じた直接または間接の損害について、当社はその責任を負いません。
5. この規定は、日本国内においてのみ有効です。
(This warranty is valid only in Japan.)
 - この保証規定は本書に明示された条件により無料修理をお約束するもので、これによりお客様の法律上の権利を制限するものではありません。
 - ソフトウェアは、本保証の対象外です。
 - 保証期間経過後の修理は有料となります。詳しくは、販売店または当社までお問い合わせください。

お問い合わせ

製品についてのご相談・ご質問につきましては、下記までお問い合わせください。

お客様コールセンター

TEL 03-3448-3010  **FAX 0120-046-011**

東京都品川区北品川 5-9-31 〒141-0001

電話受付時間／9:00～12:00 13:00～19:00 月曜～金曜 (休祝日を除く)

E-Mail: ccc.jp@tektronix.com

URL: <http://www.tektronix.co.jp>

修理・校正につきましては、お買い求めの販売店または下記サービス受付センターまでお問い合わせください。

(ご連絡の際に、型名、故障状況等を簡単にお知らせください)

サービス受付センター

 **TEL 0120-741-046** **FAX 0550-89-8268**

静岡県御殿場市神場 143-1 〒412-0047

電話受付時間／9:00～12:00 13:00～19:00 月曜～金曜 (休祝日を除く)

Original English Manual

Installation Manual, BPA105 Bluetooth Protocol Analyzer

071-1121-01

安裝手冊



BPA105 藍芽通訊協定分析儀

071-1121-01

此文件支援軟體 2.4版及更新版本。

請在 www.tektronix.com/bpa_software 查看定期的 BPA系列軟體更新。

www.tektronix.com

Copyright © Tektronix, Inc版權所有。

所有 Tektronix產品均受美國與其它國家已許可及審核中之專利權的保護。本出版物中的資訊將取代先前出版的所有文件中的內容。保留更改規格與價格之權利。

Tektronix, Inc., P.O. Box 500, Beaverton, OR 97077, USA

TEKTRONIX 與 TEK皆為 Tektronix, Inc的註冊商標。

Bluetooth 為瑞典 Telefonaktiebolaget L M Ericsson的商標。

保證書

Tektronix 保證其所製造及銷售的產品在出貨日後三年內，在材料和工藝兩方面均無暇疵。如果產品證實在保固期內發生故障，Tektronix 可選擇對故障品進行維修但不收任何材料費與工錢，或是提供替代品以交換故障產品。

為了獲得本保證書所提供的服務，顧客必須在保固期到期之前，將故障情況告知 Tektronix 並進行適當的安排以進行服務。顧客必須負責有缺陷的產品的包裝與運輸，並以預付運費的方式送抵 Tektronix 指定的服務中心。如果顧客所在地與 Tektronix 服務中心位在同一國家，Tektronix 將支付把產品寄回顧客的費用。如果要將產品寄回其他地點，所有運費、關稅、稅金與任何其他費用需由顧客支付。

本保證不適用於因不正常使用、維修或缺乏保養的情況所造成的任何缺陷、故障或損壞。若有下列情況，Tektronix 並無義務就本保證書提供服務

- a) 因為非 Tektronix 代表的人員企圖安裝、維修或檢修產品而產生的損壞，
- b) 因為不正常使用或與不相容設備連接所造成的損壞；
- c) 使用非 Tektronix 耗材所造成的任何損壞或故障；或
- d) 產品經過修改或與其他產品結合，而這種修改或結合增加檢修產品所需的時間或難度。

本保證書由 TEKTRONIX 所提供，取代任何其他明示或默示的保證。TEKTRONIX 及其廠商不承擔任何針對特定用途的適用性與適售性的默示擔保責任。倘若違反此擔保，TEKTRONIX 對顧客所提供的唯一補救方法，為修復或替換故障的產品。對於任何間接、特殊、附隨性或衍生性損害，TEKTRONIX 及其廠商將概不負責，不論 TEKTRONIX 及其廠商是否事先瞭解這種損害的可能性。

軟體保證書

Tektronix 保證從出貨日起算的三個月內，用來提供本軟體產品的媒體以及媒體上的程式編碼，在材料和工藝兩方面均無瑕疵。若在保固期間媒體與編碼證實出現瑕疵，Tektronix 將提供替代品以交換故障的媒體。除了用來提供本軟體產品的媒體以外，本軟體產品係依「現況」提供，不附帶任何明示或默示擔保。Tektronix 不擔保此軟體產品的功能將符合顧客需求，或在程式作業時不會發生中斷或錯誤現象。

為了獲得本保證書所提供的服務，顧客必須在保固期到期之前，將故障情況告知 Tektronix。如果顧客在通知 Tektronix 後，Tektronix 無法在合理時間內針對材料與工藝提供無缺陷的替代品，顧客可終止本軟體產品授權，將本軟體產品與任何相關材料退貨並要求退款。

本保證書由 TEKTRONIX 所提供，取代任何其他明示或默示的保證。TEKTRONIX 及其廠商不承擔任何針對特定用途的適用性與適售性的默示擔保責任。倘若違反此擔保，TEKTRONIX 對顧客所提供的唯一補救方法，為負責替換故障的媒體或是將款項退還顧客。對於任何間接、特殊、附隨性或衍生性損害，TEKTRONIX 及其廠商將概不負責，不論 TEKTRONIX 及其廠商是否事先瞭解這種損害的可能性。

目錄

一般安全摘要	iii
前言	v
與 Tektronix 聯繫	vi
藍芽通訊協定分析儀設定與安裝	1
產品概觀	1
藍芽規格	1
藍芽通訊協定分析儀設定	2
拆封	3
系統需求	4
設定本產品	4
新安裝的安裝流程	5
更新的安裝流程	6
DemoCard 軟體	7
解除安裝舊版藍芽軟體	7
啟動軟體	8
退出軟體	8
光碟上的軟體與資料檔	8

一般安全摘要

請檢視以下的安全警告以避免傷害，並預防對此產品或任何相關產品的損害。為避免潛在的危險，請僅依照指示使用此產品。

只有合格的維修人員方可操作維修程序。

避免火源或身體傷害

懷疑有故障時，請勿操作。如果您懷疑此產品已遭損壞，請讓合格的維修人員進行檢查。

請勿在潮濕的狀態下操作。

請勿在易燃易爆的空氣中操作。

請維持產品表面的清潔與乾燥。

安全條款與符號

此手冊中的條款。本手冊可能會使用下列名詞：



警告。警告聲明中指明了可能導致受傷或喪命的情況或操作。



小心。小心聲明中指明了可導致損害此產品或其他物品的情況或操作。

產品上的符號。下列符號可能會出現在產品上：



前言

本手冊提供您在第一次安裝與操作 Tektronix BPA105藍芽通訊協定分析儀時所需要的資訊。

關於安裝完成後如何使用藍芽通訊協定分析儀的說明，請參考線上說明。

注意：請在網址 www.tektronix.com/bpa_software 查看定期的 BPA 系列軟體更新。

與 Tektronix 聯繫

電話	1-800-833-9200*
地址	Tektronix, Inc. 14200 SW Karl Braun Drive P.O. Box 500 Beaverton, OR 97077 USA
網址	www.tektronix.com
銷售支援	1-800-833-9200 ，請選擇選項 1*
服務支援	1-800-833-9200 ，請選擇選項 2*
技術支援	電子郵件信箱： techsupport@tektronix.com 1-800-833-9200 ，請選擇選項 3* 太平洋標準時間 6:00 a.m. - 5:00 p.m.

-
- * 此號碼於北美地區為免付費電話。營業時間以外，請留下語音訊息。

在北美地區以外，請聯繫 Tektronix 銷售部門或經銷商；請參見 Tektronix 網站，以查詢部門名單。

藍芽通訊協定分析儀 設定與安裝

此手冊包含以下資訊：

- BPA105 藍芽通訊協定分析儀概觀
- 產品拆封說明
- 主機系統需求
- 設定硬體的說明
- 安裝軟體流程
- 啟動和關閉軟體的說明

產品概觀

「藍芽通訊協定分析儀」能在不加干擾與獨立作業的情況下截取基頻流量，然後透過藍芽微網將傳輸與接收的封包資料加以記錄、解碼與分析，以促進藍芽設備的開發。「藍芽通訊協定分析儀」也具備原型偵錯工具的功能，能夠以主要或從屬裝置的身份加入微網，以啟動各種操作模式、引入故意錯誤，或是作為已知的參考設備。

「藍芽通訊協定分析儀」產品包括藍芽無線探棒、自訂 USB 纜線、輸入與輸出纜線，以及包含應用軟體與使用手冊的光碟。

藍芽規格

「藍芽規格」是一種標準規格。在此標準中所包含的資訊，能確保各家製造商生產的任何支援藍芽無線科技的不同設備都能相互溝通。本文件分為以下部份：

- **第一冊，核心。**這是一份篇幅較長而且詳細的文件。內容詳述了如無線電與基頻規格這類元件、連結管理員通訊協定、服務搜尋通訊協定、傳輸層以及與不同通訊協定之間的互通性。其中也有三章描述有關測試與認證的內容，包括藍芽測試模式、藍芽一致性需求與測試控制介面。
- **第二冊，設定檔。**此文件詳述了各種類型的藍芽應用所需的通訊協定與程序，例如服務搜尋、無線電話技術、序列埠以及同步設定檔。

若要在全球資訊網取得這包含兩部份的規格，請到下列網址：

<http://www.bluetooth.com>

藍芽通訊協定分析儀設定

您能夠以「獨立」或「微網」模式操作 BPA105藍芽通訊協定分析儀。

獨立模式。如果設定為獨立單元，「藍芽通訊協定分析儀」不會直接在微網內發生作用。與網路同步後，它反而會被動地監控並記錄，構成網路的主要與從屬裝置之間傳輸的所有基頻封包。您可以利用其先進的觸發與過濾功能，辨識出想要記錄的資料，然後在傳輸完成後進行分析。

微網模式。設定加入微網後，「藍芽通訊協定分析儀」會使用全通訊協定堆疊並加入微網成為主要或從屬裝置。

如果作為主要裝置，「藍芽通訊協定分析儀」會記錄本身與微網從屬裝置間的所有基頻封包。當設定為從屬裝置

關於如何將您的分析儀設定為微網模式，請參閱線上說明。

拆封

BPA105 包裝裡有下列物品。

1. BPA105 藍芽無線探棒
2. 內含產品軟體與使用文件的光碟
3. BPA105 通訊協定分析儀安裝手冊
4. 兩條 SMB 轉 BNC 纜線
5. BNC 雙向母接頭轉接器
6. 自訂的 USB 纜線

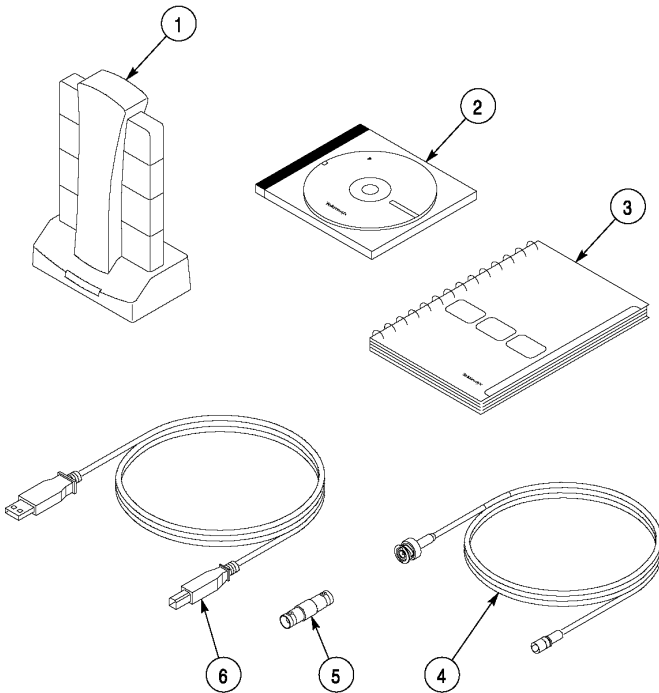


圖 1：藍芽通訊協定分析儀元件

系統需求

若要安裝並使用 BPA105藍芽通訊協定分析儀軟體，您的系統應該符合下列建議需求：

- 600 MHz或配備更快 Pentium III微處理器的個人電腦，。您可以使用微處理器較慢的個人電腦，但是在自由運行模式時，也許無法維持正確解碼以及／或解密的功能。
- Microsoft Windows 98SE、ME、2000 或是 XP作業系統。
- 至少 128 MB記憶體；建議使用 256 MB記憶體。
- 至少 200 MB可使用的硬碟空間。
- 螢幕解析度為 1024 X 768像素或更高。
- USB 連接埠。



小心。為了確保符合電磁輻射規定標準，BPA105 藍芽通訊協定分析儀內含加上額外屏蔽的自訂 USB纜線。請勿以標準 USB纜線搭配本產品使用。

設定本產品

BPA105 藍芽通訊協定分析儀的設定，包括找出與設定硬體元件以及安裝應用程式與驅動程式。如果您是第一次安裝本產品，請參閱第 5頁的新安裝的安裝流程。

注意。如果您的電腦上安裝了 *Digianswer Bluetooth DemoCard* 或是使用 *Digianswer Bluetooth Stack* 的設備，那在安裝藍芽通訊協定分析儀軟體前，必須先解除安裝。請參閱第 7 頁的解除 DemoCard 軟體安裝。

如果您已安裝了舊版 (1.0) 的藍芽軟體，請參閱第 7 頁的解除安裝舊版藍芽軟體。

如果有較新的版本，安裝程式會為您解除舊軟體的安裝。

新安裝的安裝流程

新藍芽軟體的安裝請按照以下的步驟：

1. 將藍芽通訊協定分析儀的光碟片插入個人電腦的光碟機內。
2. 按照螢幕上的步驟完成安裝。
3. 當提示出現時，重新啟動電腦。
4. 將藍芽無線探棒以 USB 纜線連接到主機空出的 USB 連接埠上。
5. 按照指示安裝必要的驅動程式。

注意。開始此程序前，請先找出您 MS Windows 的安裝磁片。安裝時如果硬碟上有找不到的驅動程式時，您也許需要這磁片。

Windows 2000 與 XP 的驅動程式安裝有幾個步驟，包括了 USB 設備、藍芽 USB 設備、藍芽 NAT 通訊協定、藍芽乙太網路轉換器、藍芽 RFCOMM 通訊協定與藍芽 SDP 通訊協定。

注意。 如果需要手動安裝任何驅動程式，若您使用的是 Windows 98與 ME作業系統，請到 BPA105產品軟體光碟裡的 D:\Drivers\Win9x，若作業系統為 Windows 2000與 XP，則到 D:\Drivers\Win2K (其中 D:為您的光碟機代號)。

6. 重新啟動電腦

您現在已經完成操作藍芽通訊協定分析儀的準備。

注意。 從主機拔掉藍芽無線探棒前，請先退出藍芽區域與藍芽通訊協定分析儀應用程式。不這麼做可能會導致系統鎖死。

更新的安裝流程

若要更新藍芽軟體，請按照以下的步驟：

1. 在 BPA105藍芽通訊協定分析儀的功能表列中，選取 System > System Properties 並且記錄正在執行的軟體與韌體的版本。
2. 在藍芽通訊協定分析儀的功能表列中，選取 Help > Technical Support。如此您會連上 BPA105 支援網站。選取 Software and Drivers 鏈結，取得最新 BPA100系列軟體發行的資訊。
3. 如果有必要，請從網站下載 BPA105 軟體的最新版本。

注意。 www.tektronix.com/bpa_software 網址查看定期的 BPA105 軟體更新。

您也可以透過 Tektronix的當地代表，訂購 BPA105產品軟體光碟 (Tektronix料號 063-3595-xx)。關於連絡 Tektronix的資訊，請參閱第 vi頁。

4. 將下載的檔案解壓縮到您選擇的目錄裡。

5. 開啟解壓縮檔案所放置的目錄，並且執行 setup.exe 程式。
6. 安裝程式會問您是否要移除舊版軟體。按照螢幕上的步驟移除舊版軟體。提示出現時，重新啟動電腦。
7. 安裝流程會在電腦重開機後自動重新啟動。如果沒有重新啟動的話，再次執行 setup.exe 程式，繼續安裝流程。按照螢幕上的提示，提示出現時重新啟動電腦。

您現在已經做好操作藍芽通訊協定分析儀的準備。

解除安裝 DemoCard 軟體

如果電腦上安裝了 Digianswer Bluetooth DemoCard，那在安裝藍芽通訊協定分析儀前，必須先將它解除安裝。

若要解除安裝 DemoCard，請按照以下步驟：

1. 插入 DemoCard。
2. 從電腦的桌面，選取開始 > 設定 > 控制台。
3. 打開新增 / 移除程式圖示。
4. 從清單上選取 Bluetooth DemoCard，並且按照螢幕上的指示進行。
5. 移除 DemoCard。
6. 重新啟動電腦

解除安裝舊版藍芽軟體

若要解除安裝舊版的藍芽軟體，請按照以下的步驟：

1. 從電腦的桌面，選取開始 > 設定 > 控制台。
2. 打開新增 / 移除程式圖示。
3. 按照螢幕上的指示選取您要移除的藍芽軟體。
4. 重新啟動電腦

注意。解除安裝舊版軟體的另一個方法，是在程式檔案夾中選取 Uninstall Bluetooth Software Suite°

您現在可以按照第 5 頁新安裝的安裝流程裡的描述，安裝藍芽通訊協定分析儀。

啟動軟體

可以用下列選項啟動 BPA105 軟體：

- 在工具列，選取開始 > 程式集 > Tektronix Bluetooth Protocol Analyzer > Bluetooth Protocol Analyzer Application。
- 如果您已建立藍芽通訊協定分析儀的捷徑，請連接兩下

注意。操作 BPA105 藍芽通訊協定分析儀時，請勿從 USB 連接埠拔掉無線探棒。從電腦拔掉無線探棒可能導致 BPA105 軟體鎖死。

退出軟體

若要結束 BPA105 通訊協定分析儀軟體，請在功能表列選取 File，然後選取 Exit。

光碟上的軟體與資料檔

隨附於 BPA105 藍芽通訊協定分析儀的光碟片中，包含以下

BPA105 藍芽通訊協定分析儀。使用 BPA105 軟體設定記錄作業，截取組成藍芽微網的設備的所有傳輸資料。然後您可以顯示並且分析所有記錄的基頻封包，加以分離、解碼並且顯示其他更高級協定。

Digianswer 藍芽軟體套件。藍芽軟體套件是由 Digianswer 製作的藍芽應用程式集，包括下列應用程式：

- 藍芽區域
- 藍芽設定工具
- 物件編輯器

您也可以使用藍芽區域應用程式進行以下功能：

- 裝置搜尋：找出在無線探棒範圍內，有哪些遠端藍芽裝置存在。
- 服務搜尋：找出遠端裝置提供哪些服務 (應用)。
- 連結：與遠端裝置建立連結。

您可以使用藍芽設定工具將一個或多個適當的設定檔與藍芽 COM 連接埠結合，然後在藍芽區域視窗中將此 COM 連接埠新增到本地服務列。

如果系統未安裝 Microsoft Outlook，您可以使用物件編輯器建立像是訊息、記事或名片等物件。

注意。使用藍芽通訊協定分析儀時，建議您不要執行藍芽通訊協定分析儀和藍芽區域之外的應用程式。

注意。藍芽通訊協定分析儀需要獨占存取個人電腦的 USB 連接埠，才能發揮最有效功能。有些筆記電腦的內部週邊會使用 USB。要讓藍芽通訊協定分析儀正常運作，必須將這些週邊關閉。

HCI 終端機。此 Digianswer 的應用程式可讓您使用介面與硬體進行互動，此介面類似以數據機進行通訊時，AT 終端機應用程式所提供的介面。這有助於由電腦將 HCI 指令送給藍芽裝置並接收回應，讓您在測試自己的藍芽硬體。HCI 終端機指南有提供相關說明。

注意。 HCI

立連線與資料流量。您一次只能執行一個應用程式。

請勿同時執行 HCI 終端機與藍芽區域。

BPA105 應用程式介面軟體。使用此軟體控制 BPA105 藍芽通訊協定分析儀，而不用應用程式使用者介面。

您可以使用 Microsoft Visual C++、Visual Basic 或是其他可與 DCOM 相容的程式語言，創造或進行自定的測試程序，由主機或是區域網路來控制分析儀的大部份功能。

如需有關產品概觀、設定指示、函數呼叫的詳盡解釋，以及範例程式碼，請參見線上說明 — BPA105 藍芽通訊協定分析儀應用程式介面手冊。